



Bathroom Ordering Guide

v2.1

Measuring, Style Selection
and Options

Contact us:

Info@TerillianCabinets.com

Contents

Step 1. Measuring	3
Step 2. Vanity Style Selection	4
Step 3. Vanity Options.....	5
Step 5. Countertop Edge Profile	8
Step 6. Countertop Backsplash	9
Step 7. Sink Selection	10
Step 8. Frameless Shower Glass	11
Step 9. Special Order Items	14
Step 10. Freight Forwarder or Shipper	15
Step 11. Payment Method	16
Terillian Cabinets: Order Summary	17

Step 1. Measuring

Follow Figure 1 to create a detailed sketch of your bathroom.

Measurement checklist:

- 1. Measure all walls (inches or cm)
 - 1b. Give each wall a name (Wall A or Sink Wall)
- 2. Measure the ceiling height
- 3. Mark all windows and doors on the sketch
 - 3b. Add the width and height of each door and window
 - 3c. Add the measurement from the wall corner to the edge of the window or door
- 5. Mark where you want base vanities and linen closet cabinets

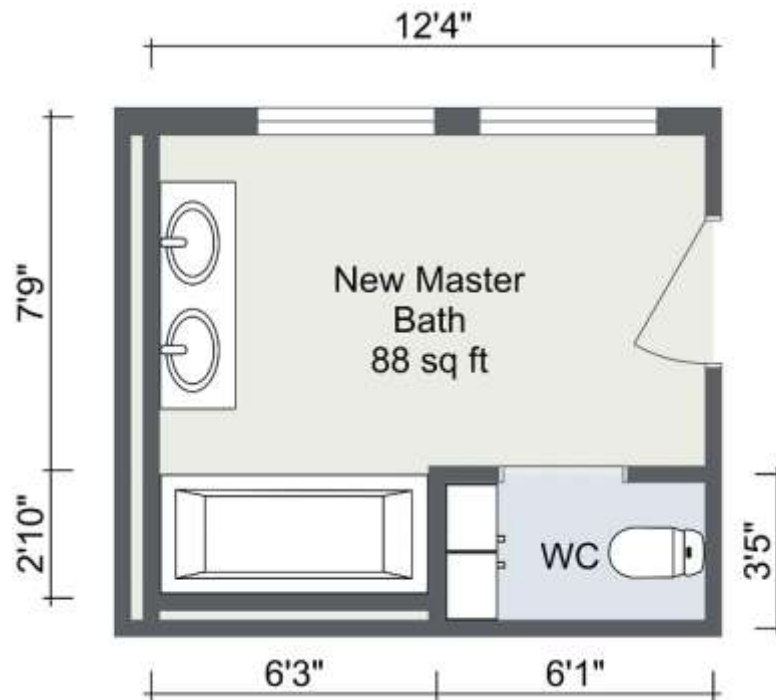


Figure 1: Example Measurements



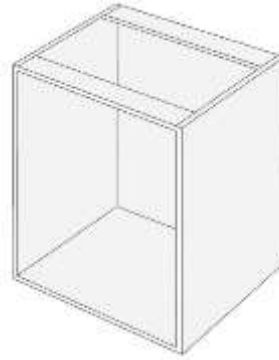
Take pictures of each wall in the bathroom; name the picture to match the walls in your sketch.

Step 2. Vanity Style Selection

Go online and make your bathroom vanity selection(s) from our large variety of vanity styles and colors. Our bathroom vanities are 34-1/2" tall, the same as kitchen cabinets. *All vanities are constructed with plywood boxes, we do not sell pressboard vanities.* We offer framed and frameless vanities.



Framed Vanity Example



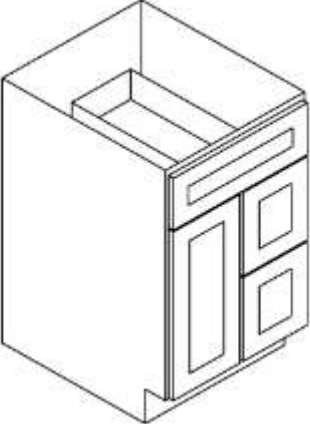


**Frameless Vanity Example
Euro-style Vanities**




Figure 2: Vanity Types

PS – Ignore the link names below, our styles and colors are for kitchens and bathrooms.

Framed Vanities	https://terilliancabinets.com/rta-kitchen-cabinets
Frameless Vanities	https://terilliancabinets.com/frameless-kitchen-cabinets
European Vanities	https://terilliancabinets.com/european-kitchen-cabinets

Step 3. Vanity Options

<p>Do you want a vanity with doors and drawers? (doors can be on the left or right side)</p>		<p><input type="checkbox"/> Yes <input type="checkbox"/> No</p>
<p>Do you want vanities with multiple drawers?</p>		<p><input type="checkbox"/> Yes <input type="checkbox"/> No</p>
<p>Do you want a linen cabinet?</p> <p>Available widths: 15", 18", 24" or wider by using multiple cabinets</p>		<p><input type="checkbox"/> Yes <input type="checkbox"/> No</p>

<p>Do you want a tall countertop vanity cabinet?</p>		<p><input type="checkbox"/> Yes <input type="checkbox"/> No</p>
<p>Do you want floating wall shelves?</p>		<p><input type="checkbox"/> Yes <input type="checkbox"/> No</p>
<p>Do you want vanity hardware?</p>		<p><input type="checkbox"/> Yes <input type="checkbox"/> No</p>



Not liking the hardware options shown here?

You are not limited to the 2 options shown here. Go online, find a style and send it to us to include in your estimate.

Step 4. Countertop Selection

Go online and make your bathroom countertop selection(s).

Veined Quartz	https://terilliancabinets.com/veined-quartz-countertops
Quartz	https://terilliancabinets.com/quartz-countertops
Granite	https://terilliancabinets.com/granite-countertops

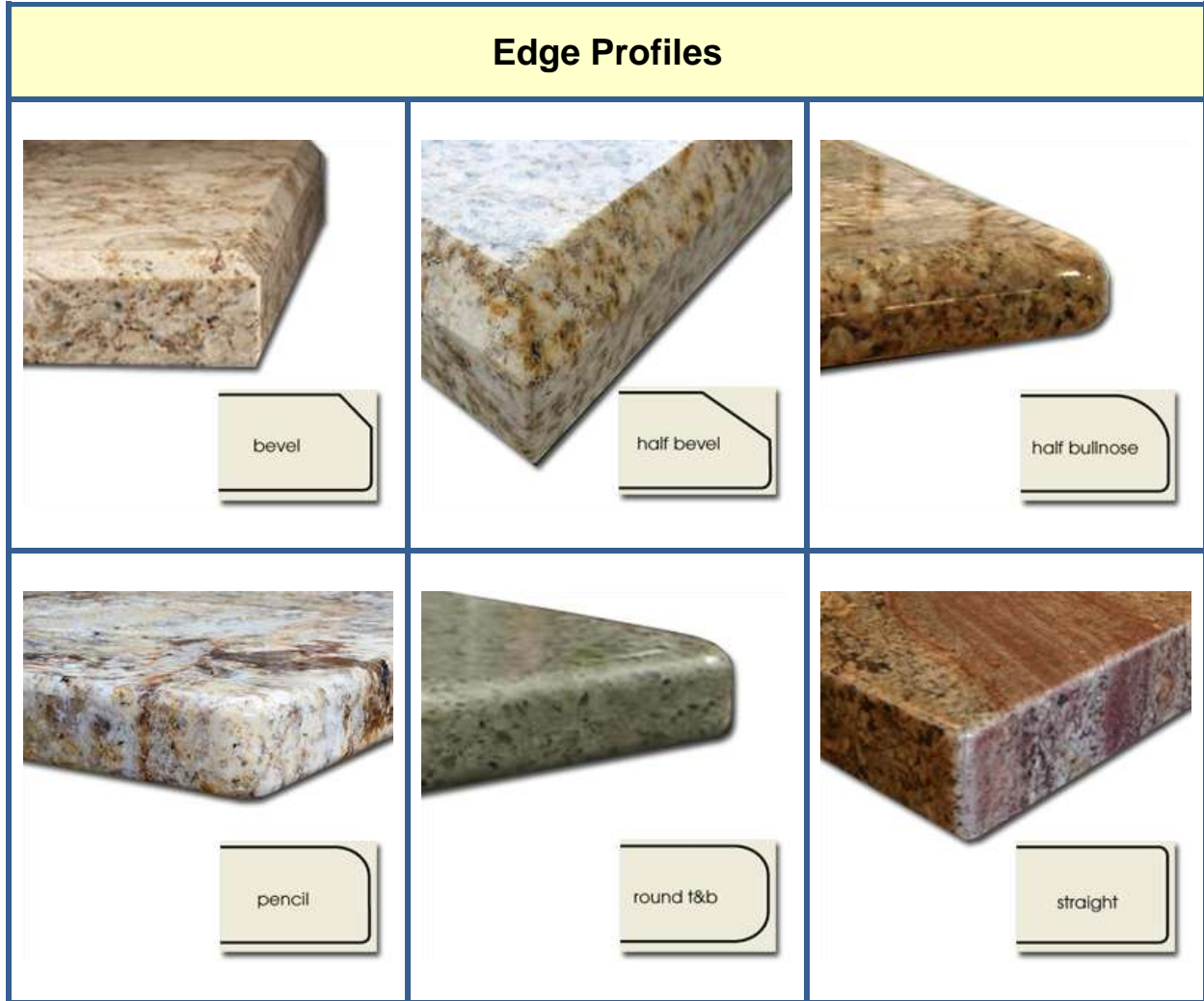


Not liking the countertop options shown here?

Send us a picture and we can locate the color and pattern you want for your granite or quartz countertop.

Step 5. Countertop Edge Profile

Select your countertop edge profile (no price difference).



Pencil and **Round T & B** are the most popular granite edges.

Straight is the most popular quartz edge.

Step 6. Countertop Backsplash

Do you want a short backsplash for your vanity countertop? Yes No



Figure 3: Short backsplash

Step 7. Sink Selection



Rectangular Undermount White



Oval Undermount White

Undermount porcelain sinks are available in white and almond



Not liking the sink options shown here?

Send us a picture and we can locate the sink you want.

Step 8. Frameless Shower Glass

Do you want to order frameless shower glass? Yes No

If yes, follow Figure 4 to create a detailed sketch of your shower and then select your options.

Measurement checklist:

- 1. Measure each area where you need shower glass (inches or cm)
- 2. Mark on the sketch where the shower head(s) are located.
 - Mark on the sketch where the shower valves are located.
- 3. Mark where you want the shower door

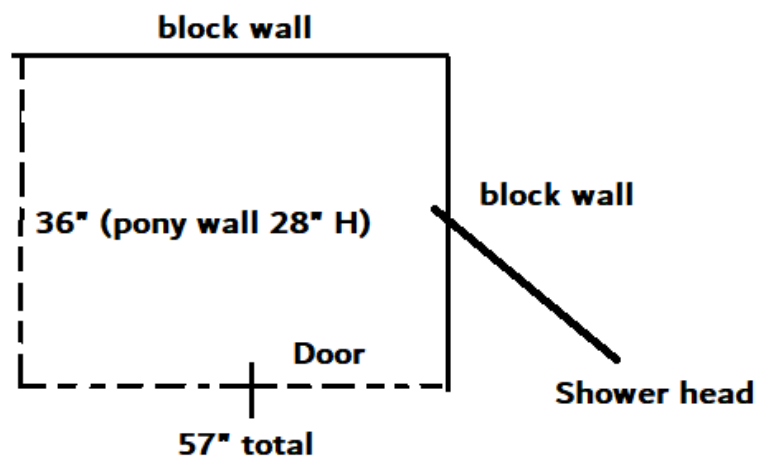


Figure 4: Example Shower Measurements







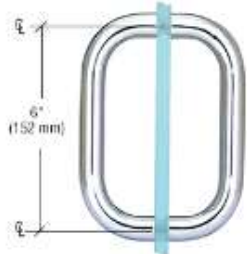


It is important for tiled walls to be as **plumb** as possible and the wall / floor join to be as **square** as possible and the floor or shower curb to be as **level** as possible for a frameless glass install.



IMPORTANT: If new construction or a remodel, you cannot measure for frameless glass until all tile work is complete.

Select Options

Select the shower glass height:	72", 76" or 80"	
Select your hardware color:	 <p>Brushed Nickel</p>  <p>Chrome</p>  <p>Oil Rubbed Bronze</p>	

<p>Do you want frosted glass sections?</p>		<p><input type="checkbox"/> Yes</p> <p><input type="checkbox"/> No</p>
<p>Pick a handle type</p>	 <p>C-Pull</p>  <p>Towel Bar (outside)</p>  <p>Towel Bar (both sides)</p>	

Step 9. Special Order Items

We export more than vanities and countertops.

We've had customers add these items to their bathroom orders in the past:

- Toilets
- Vanity Lights
- Tubs
- Shower Valves
- Shower Heads
- Mirrors
- Wall Tile
- Floor Tile

Would you like to add other items to your order? Yes No

Step 10. Freight Forwarder or Shipper

Do you have a shipper you want to use? Yes No

If yes, please provide the address.

Step 11. Payment Method

Do you want to pay via credit card? Yes No

Terillian Cabinets: Order Summary

2. Vanity Style	Style:	
3. Vanity Options		
	Vanity with doors and drawers	<input type="checkbox"/> Yes <input type="checkbox"/> No
	Multi drawer vanity	<input type="checkbox"/> Yes <input type="checkbox"/> No
	Linen cabinet	<input type="checkbox"/> Yes <input type="checkbox"/> No
	Tall countertop vanity	<input type="checkbox"/> Yes <input type="checkbox"/> No
	Floating Shelves	<input type="checkbox"/> Yes <input type="checkbox"/> No
	Vanity Hardware	<input type="checkbox"/> Yes <input type="checkbox"/> No
4. Countertop Selection	Countertop:	
5. Countertop Edge	Countertop Edge:	
6. Backsplash	Backsplash	<input type="checkbox"/> Yes <input type="checkbox"/> No
7. Sink Selection	Type:	
8. Frameless Glass	<input type="checkbox"/> Yes <input type="checkbox"/> No	
	If Yes, height in inches:	
	Hardware Color	<input type="checkbox"/> Yes <input type="checkbox"/> No
	Frosted Sections	<input type="checkbox"/> Yes <input type="checkbox"/> No
	Handle Type:	
9. Special Order Items	<input type="checkbox"/> Yes <input type="checkbox"/> No	
	List Items:	

10. Shipper Address	
11. Pay with credit card	<input type="checkbox"/> Yes <input type="checkbox"/> No